

**SWIT®****PL-S300D Straight Down Flat Panel Light**

Ver: B

# USER MANUAL

**SWIT Electronics Co.,Ltd.**

Tel:+86-25-85805753  
 Fax:+86-25-85805296  
<http://www.swit.cc>  
 E-mail: contact@swit.cc

Thank you for choosing SWIT products. Please read the instructions before using, and keep it for future reference.

## Technical Parameters

<b>Model</b>	<b>PL-S300D</b>					
LED Beads	1200pcs					
Color Temperature	2700K-6500K					
Brightness	0%-100%					
illumination	Distance	illumination /Lux				
		2700K	3200K	4500K	5600K	6500K
	1m	9407	9521	9877	10064	10155
	2m	2352	2380	2469	2516	2539
	3m	1045	1058	1097	1118	1128
Half Peak Beam Angle	64°/40° (with Honeycomb)					
CRI	96					
TLCI	99					
SSI(D55)	75					
Power Consumption	About 300W					
Operating Voltage	AC100-240V ,50/60Hz DC 48V					
Size	See Fig. 1 and 2 for details					
Weight	8.76Kg					
	9.74Kg (With barn door)					

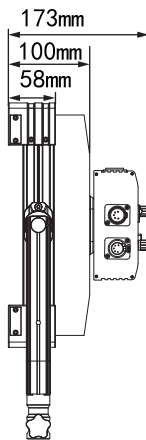


Fig. 1 PL-S300D dimensional drawing (side view)

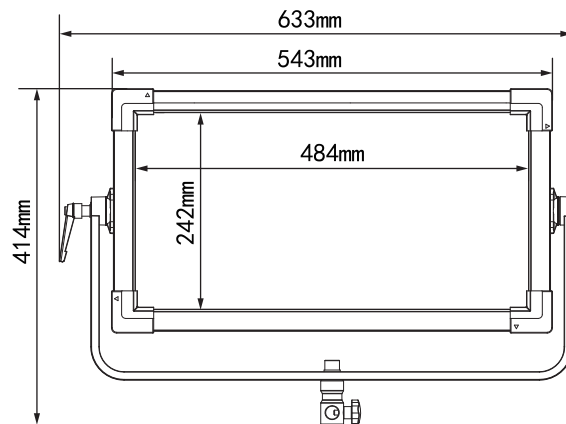


Fig. 2 PL-S300D dimensional drawing (front view)

## Cautions

1. Do not disassemble the fixture or touch the inside of the fixture control box with metal objects to avoid damage;
2. Do not storing the luminaire in dusty or humid environments;
3. Please avoid hard objects to scratch the diffusion plate, so as not to affect the use of results;
4. Light oils and stains on the surface of the lamp body can be wiped with a clean cloth;
5. Working temperature of this product is -10°C to 40°C.

## Appearance

### 1. Back View

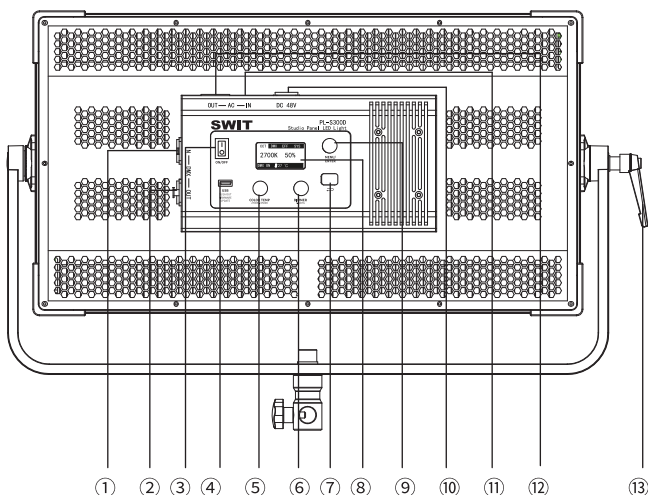


Fig. 3 PL-S300D Back View

- ① DMX IN
- ② DMX OUT
- ③ Power Switch
- ④ USB
- ⑤ COLOR TEMP Knob
- ⑥ DIMMER Knob
- ⑦ Return Button
- ⑧ LCD
- ⑨ MENU/ENTER Button
- ⑩ DC 48V input connector
- ⑪ AC IN Connector
- ⑫ AC OUT Connector
- ⑬ Fasten knob
- ⑭ U-bracket
- ⑮ York Connector
- ⑯ barn door
- ⑰ Diffuser

### 2. Front View

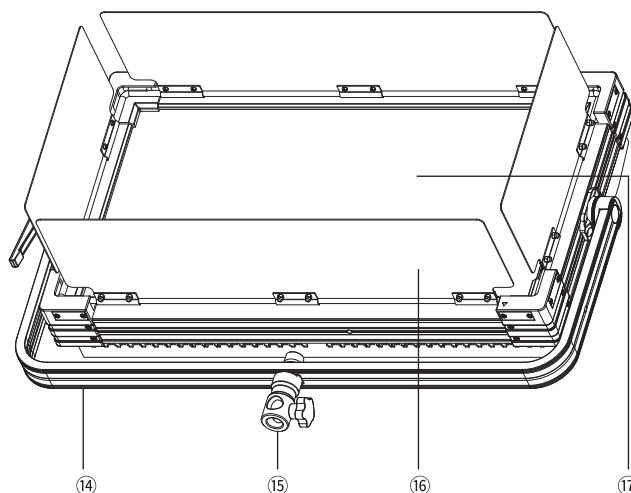


Fig. 4 PL-S300D Front View

**Note:** The upper and lower bezels of the lamp body have a ring mounting hole respectively.

## Control Panel And Usage

The working modes of this product include: CCT, DMX, EFF, SYS, and the control panel knobs and buttons function as follows:

- › "MENU/ENTER" Knob: Switching of operating modes and parameter setting by Pressing or Rotating.;
- › "↶" Button: Return to Previous Menu
- › "COLOR TEMP" Knob: Color Temperature Control
- › "DIMMER" Knob: Brightness Control

### 1.CCT Mode

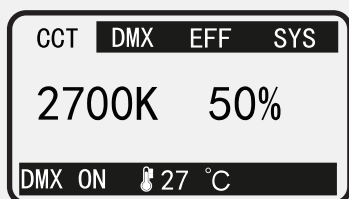


Fig.5 CCT Mode

In this mode, the user can set the "color temperature" and "brightness" parameters through the parameter adjustment knobs shown in Fig. 3 ⑤/⑥, and the display interface also shows the on/off status of DMX and the current temperature of the light source.

**Note:** The working status of DMX needs to be set in the "SYS" menu.

No.	Parameters	Adjustment range	Minimum adjustment step
1	Color Temp	2700K-6500K	50K
2	Brightness	0%-100%	1%

Table.1 [CCT mode]Adjustable parameters and adjustment range

## 2.DMX Mode

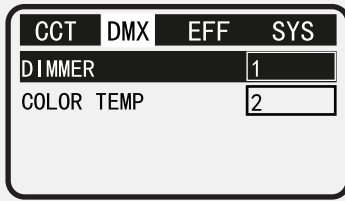


Fig.6 DMX Mode

To enable this mode, users need to set [DMX ON/OFF] to ON in the [SYS] menu, and in this mode, users can independently set the DMX channel address for brightness, Color temperature, etc. by pressing/rotating the "MENU/ENTER" knob.

No.	Parameters	Adjustment range	Minimum adjustment step
1	Color Temp	1-512	1
2	Brightness	1-512	1

Table.2 【DMX Mode】Adjustable parameters and adjustment range

## 3.EFF Mode

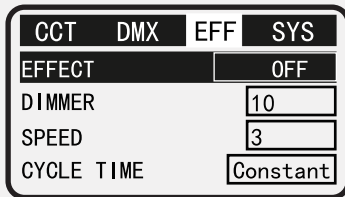


Fig.7 EFF Mode

In this operating mode, the user can select scenes and set parameters by pressing/turning the "MENU/ENTER" knob

No.	Parameters	Adjustment range	Minimum adjustment step
1	EFFECT	OFF, Candle, Lightning, FaultyBuld	/
2	DIMMER	0-100	1
3	SPEED	1-10	1
4	CYCLE TIME	Constant, One Time	/

Table.3 【EFF Mode】Adjustable parameters and adjustment range

## 4.SYS Mode

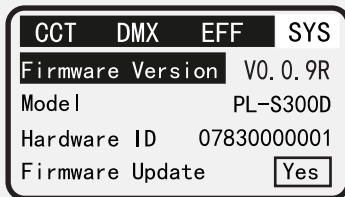


Fig.8 【SYS】Display Screen No.1

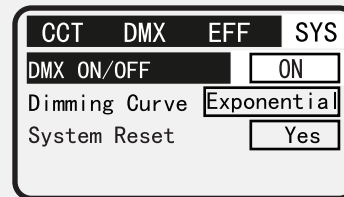


Fig.9 【SYS】Display Screen No.2

Users can set system parameters and learn other related information such as firmware version number, product specifications, hardware number, etc. under the [SYS] display interface.

No.	Menu	Parameters	Functions
1	Firmware Version	V0.0.9R	Native Firmware Version
2	Model	PL-S300D	Product Specification of this Product
3	Hardware ID	07830000011	Native Hardware Number
4	Firmware Update	Yes	Firmware Upgrade
5	DMX ON/OFF	ON	DMX ON
		OFF	DMX OFF
6	Dimming Curve	Linear	Linear Dimming Curves
		Logarithmic	Logarithmic Dimming Curves
		Exponential	Exponential Dimming Curves
		S Curve	"S" Dimming Curve
7	System Reset	Yes	System Reset & Initialization

## Firmware Upgrades

### 1. Program Upgrade Package Acquisition

Access: <http://www.swit.cc>

### 2. Firmware Upgrades

- 1) Prepare an empty USB stick with the file system FAT32;
- 2) Place the firmware upgrade package in the root directory of the USB stick;
- 3) Turn on the power switch to make the PL-S300D in working condition, insert the USB flash drive into the USB port in Fig. 3 ④;
- 4) Rotate, press the "MENU/ENTER" knob, press "**SYS**"→"**Firmware Update**"→"**Yes**" path to upgrade the firmware;
- 5) Wait for the prompt for success and restart PL-S300D, check the firmware version to confirm whether the upgrade is successful or not:
  - › rotate, press the "MENU/ENTER" knob, press "**SYS**"→"**Firmware Version**" path to view the firmware version of the machine, if the version number is the same as the version number of the upgrade package, it means that the firmware upgrade is successful;
  - › If the firmware upgrade fails, see【General Handling of failed upgrades】.

### 3. General handling of failed upgrades

If the firmware upgrade prompt fails, try the following two methods:

- 1) Press the "MENU/ENTER" key to exit the current interface, repeat the【Firmware Upgrades】step 4), until the upgrade is successful;
- 2) Replace the USB memory stick that meets the requirements and repeat【Firmware Upgrades】step 2) to step 5) until the upgrade is successful.

#### Note:

1. Do not power down or unplug the USB stick during the upgrade process!!!
2. The USB memory stick file system is FAT32!!!
3. Firmware upgrade package in the root directory of the USB stick!!!

## Packing List

NO.	Details	Quantity
1	PL-S300D	X1
2	Sunshade	X1
3	AC Plug-in	X1
4	Safety Rope	X2
5	Hanging Rings	X2
6	Power Cable (4m)	X1
7	Flight case	Optional
8	Honeycomb	Optional