

# SWIT®

CL-100D  
LED Studio Panel LED Light  
Ver:A

# USER MANUAL

## SWIT Electronics Co.,Ltd.

Tel:+86-25-85805753  
Fax:+86-25-85805296  
<http://www.swit.cc>  
E-mail: [contact@swit.cc](mailto:contact@swit.cc)

Thank you for choosing SWIT products, Please read the instructions before using and keep it for future reference.

### Technical parameters

Model	CL-100D
Color Temperature	2700K-6500K
Brightness	0%-100%
CRI	97
TLCI	99
SSI(D55)	75
Central Illumination	3300 Lux@1m
Half Beam Angle	65° (Without Honeycomb) 40° (with Honeycomb)
Control	Local control, DMX
Working Voltage	AC 100-240V, 50/60Hz
Output Power	About 100W
Dimension(mm)	Details Figure1, Figure 2, Figure3
Overall Net Weight	3.2Kg (Without Honeycomb) 3.4Kg (With Honeycomb)

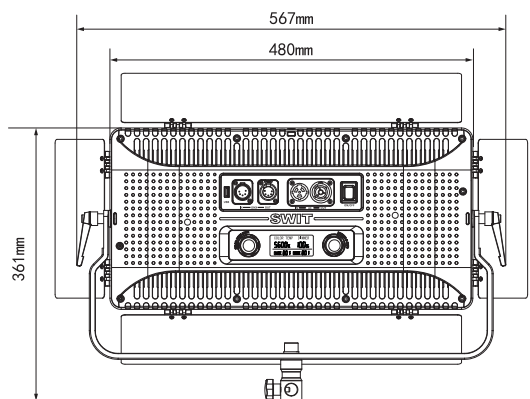


Figure 1 CL-100D Back View

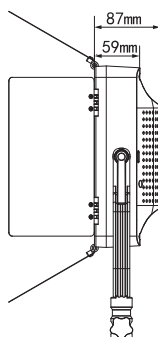


Figure 2 CL-100D Side View

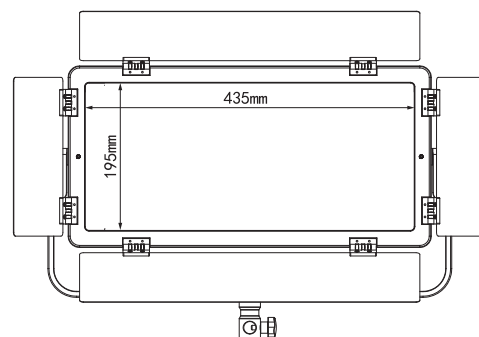


Figure 3 CL-100D Front View

### Cautions

1. Do not disassemble the panel light or touch the interior with metal objects to avoid damage;
2. Do not store the panel light in dusty or wet environment to avoid damage;
3. In order to ensure safety, please use the safety rope when hoisting the lamp;
4. Only use the light in the temperature range of -10°C~40°C.

## Appearance

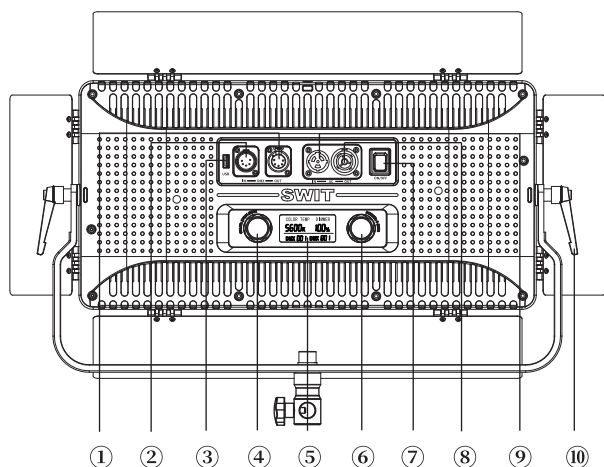


Figure 4 CL-100D Back View

- |                     |                               |
|---------------------|-------------------------------|
| ① DMX OUT           | ⑥ Brightness                  |
| ② DMX IN            | ⑦ POWER                       |
| ③ USB               | ⑧ AC OUT                      |
| ④ Color temperature | ⑨ AC IN                       |
| ⑤ LCD               | ⑩ Pitch angle adjustment knob |

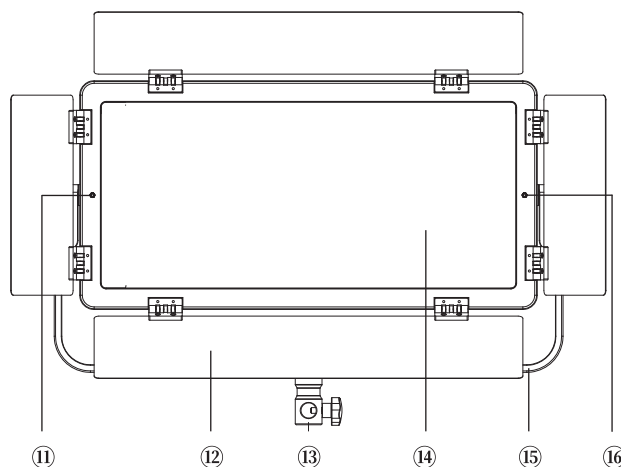


Figure 5 CL-100D Front View

- |                             |
|-----------------------------|
| ⑪⑫ Honeycomb mounting holes |
| ⑫ Blackout sheets           |
| ⑬ Bracket adapters          |
| ⑭ Diffusion panels          |
| ⑮ U-shaped bracket          |

## LCD Display

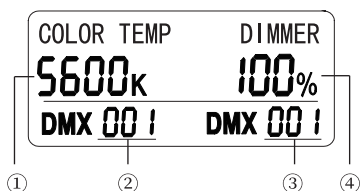


Figure 6 LCD Display

- |  |
|--|
| ① Color temperature parameter display area |
| ② DMX Address (Color Temperature)          |
| ③ DMX Address (Dimmer)                     |
| ④ Dimmer parameter display area            |

## Usage

### 1. Install

Before use, please install the honeycomb according to the use requirements (option, installation method as shown in Fig. 7), when the luminaire is lifted for use, please use it in conjunction with a safety rope, which should run through the U-bracket and the hanging ring (the ring has to be installed in the ring mounting hole at the top of the luminaire itself).

### 2. Power Supply

The working voltage of CL-100D is AC 100-240V,50/60Hz, supports AC loop out.

### 3. Brightness & DMX address setting

Color temperature parameter control range: 2700K-6500K, minimum control step of 50K; brightness parameter control range: 0%-100%, minimum control step of 1%. The luminaire parameter control supports both local control and DMX control. The user can control the color temperature and brightness parameters of the luminaire via the DMX control console or the parameter adjustment knob (Fig. 4 ④/⑥) according to the usage requirements.

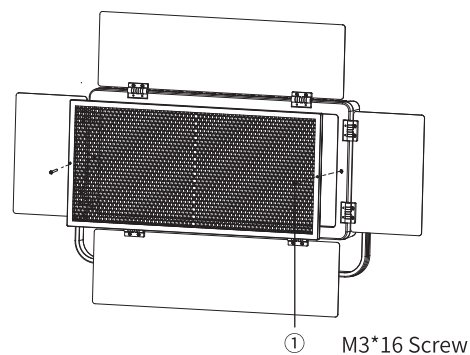


Figure 7 Honeycomb Mounting

#### 4. Brightness & DMX address setting

The DMX address of the brightness and color temperature can be set individually, DMX address range: 001-512.

Press and hold the parameter adjustment knob (fig. 4 ④/⑥) for approx. 2s to set the communication address according to the usage requirements. When the last bit is set, press the parameter adjustment knob (fig. 4 ④/⑥) or wait approx. 5 s to exit the setting of the communication address.

#### Packing list

NO.	Packing details	Quantities
1	CL-100D Studio flat panel light	x 1
2	Power cable	x 1
3	Safety ropes	x 1
4	Lifting rings	x 1
5	AC Air Plugs	x 1
6	Honeycomb (Optional)	Optional