

# SWIT®

TOWER100/150/150C

**STUDIO TRIPOD**

Ver: A

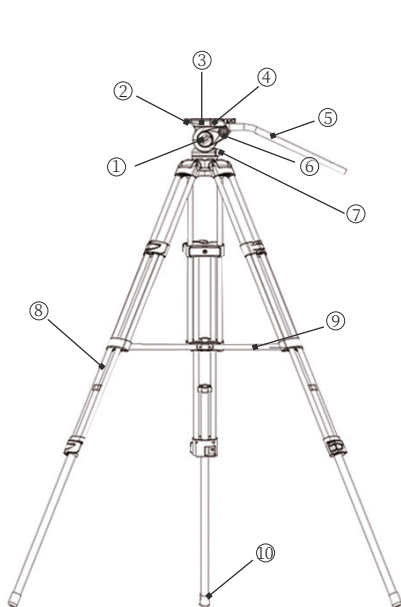
# USER MANUAL

**SWIT Electronics Co.,Ltd.**

Tel:+86-25-85805753  
Fax:+86-25-85805296  
http://www.swit.cc  
E-mail: contact@swit.cc

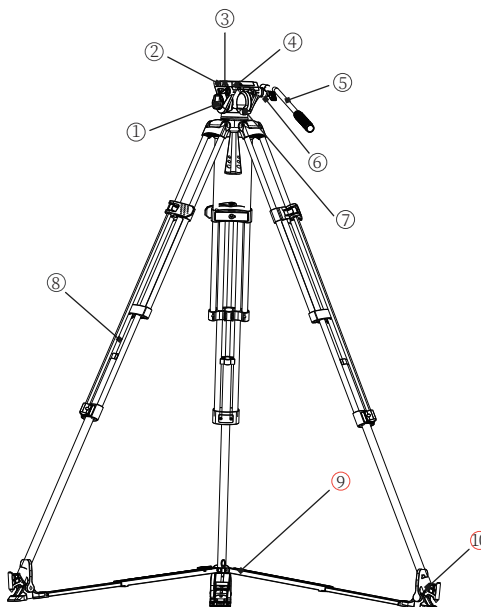
Thank you for choosing SWIT products, please read this user manual before using and keep it properly for future reference.

## Appearance



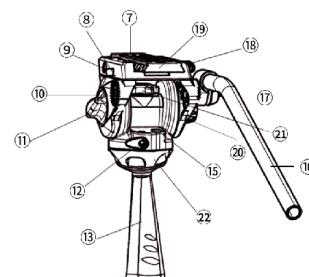
**TOWER100**

- 1.Pitch damping knob
- 2.Quick release plate
- 3.Accessories installation nuts
- 4.Quick release plate safety button
- 5.Handle
- 6.Handle lock button
- 7.Horizontal damping knob
- 8.Tripod pin
- 9.Centrally pin
- 10.Rubber feet

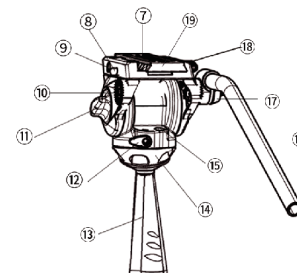


**TOWER150/150C  
( Carbon Fiber)**

- 1.Pitch damping knob
- 2.Quick release plate
- 3.Accessories installation nuts
- 4.Quick release plate safety button
- 5.Handle
- 6.Handle lock button
- 7.Horizontal damping knob
- 8.Tripod pin
- 9.Bottom pin
- 10.Hoof feet



**TH100 Fluid Head**



**TH150 Fluid Head**

## Model & Specification

Model	Material	Self-weight(kg)	Load(kg)	Tube Diameter(mm)	Height(cm)
TOWER100	Aluminum	4	10	14-20	72-153
TOWER150	Aluminum	5.1	15	14-20	50-170
TOWER150C	Carbon fiber	4.3	15	16-22	50-170

## Packing list

No.	Description	Quantity
1	Tripod kit	1
2	Quick release plate	1
3	Accessories tool	1

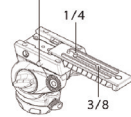
## Directions

### 1. Camera installation

SLR camera or camcorder can be installed.

- ① Rotate the lock knob for release quick release plate counterclockwise.
- ② Press the safety switch and take out the quick release plate.
- ③ Press the quick release plate diagonally into the platform from the direction of the safety bolt, Turn the knob to lock.

Quick release plate safety switch



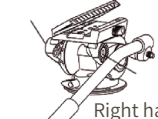
Take out the quick release plate

Lock knob



Install quick release plate

Left handle Installation Port

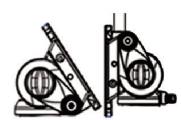


Right handle Installation Port  
Adjust handle usage

### 4. Adjust the head angle

- ① The head can be pitch adjusted the upper and lower Angles can be adjusted is between +90 and -70 degrees. If it needs to be fixed, the pitch damping knob can be used for locking. In the absence of load, the head will be automatically return to a horizontal state.
- ② The head can rotate 360 degrees horizontally, and the horizontally locked knob can be used to control the horizontally damping.

-70° +90°



Adjust the head pitching angle

### 2. Accessories & other device installation

The external nut can be connected with the rocker arm, display LED lights and other equipment. Choose 1/4 or 3/8 screw according to the equipment you have, you can locking with the coin in the tool kit.

### 3. Handle installation

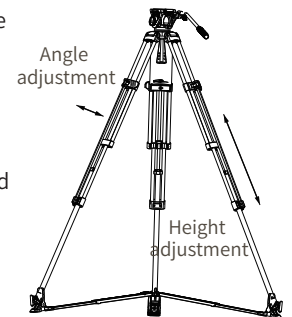
- ① Rotate the handle lock button counter clockwise And remove the handle.
- ② Re install the handle on the left or right handle Install the handle according to your use habit.

### 5. The use of the bubble level

The tripod will be perpendicular to the ground when Bubble inside the level is in the most middle position.

### 6. Unfold and fold the tripod

- ① Pull open the buckle and the foot frame will slide automatically. According to the required height, buckle the buckle again to fix the height of the foot frame.
- ② Open the pins of the tripod to an appropriate Angle. For the foot of fixed middle tube, only fixed Angle can be selected. The Angle can be adjusted for a moving tube or a leg that extends to the ground.



## Notice

1. Do not use at temperatures below minus 40°C and above 70°C.
2. When in damp, sand and dust environment, please wipe dry with dry cloth after use When in a rain environment, after use, please pull the pin to full elongation Until the inside of the pin is dry and then closed; Not recommended for use in seawater.
3. Do not carry camera or photography equipment on the tripod.
4. The product does not need to be equipped with lubricating oil, do not add improper lubricating products without authorization, if necessary, use standard lubricants and oils Or please call our customer service hotline+49(0)2131 6632331 for consultation.
5. Please do not disassemble the product under the guidance of non-professionals. If you have any questions, please call SWIT customer service hotline +49(0)2131 6632331.
6. In order to ensure personal safety, do not use this product with live products, high voltage equipment and strong chemical exposure.
7. When adjusting the device, do not exert too much force to avoid component damage.
8. Do not exceed the maximum load (see parameter description).
9. Do not expose the product to the sun or high temperature for a long time in the car or under the glass.
10. When working, do not let the product be seen in a dangerous public place out of the reach of children.

## Common problems and solutions

Faults	Reason	Treatment
The head shaking	The head is not connect to the tripod	Connect the head with the tripod
Quick release plate can not be removed	Lock knob not loosened/ Failure to press safety bolt	Loose the lock knob, and press the safety bolt, simultaneously pull out the quick release plate
After installing the equipment, The head tilt forward or backward	Quick release plate is not in the right place	Adjust the front and back position of the quick release plate until the platform is in a horizontal state.
Quick release plate can not be inserted, or the safety bolt loses its protective effect.	Insertion direction of quick release plate is wrong	Keep the arrows at the bottom of the quick release plate in the same direction as the head.

## Contact

If you have any comments and suggestions about this product, you can contact us through the following ways to give us feedback. Your comments are valuable resources for our growth. Thank you very much!

Customer service hotline: +49(0)2131 6632331

E-mail: info@swit-europe.com (European office) /Contact@swit.cc (China headquarters)