

# SWIT®

S-2041

Chip-Array LED Camera Light

Ver:B

# USER MANUAL

SWIT Electronics Co.,LTD.

Tel:+86-25-85805753  
Fax:+86-25-85805296  
http://www.swit.cc  
E-mail: contact@swit.cc

**Congratulations on your purchase of this product. Please read this user manual carefully.**

## Features

- ◆ New generation chip-array LED technology, outputs bright but soft & non-glaring light;
- ◆ 60° wide beam angle, equally spread light, no visible lighting edge and single shadow;
- ◆ 23W power consumption, 1200 lux @ 1 meter, equivalent to a 100W halogen bulb, and 10%-100% dimmerable;
- ◆ 5000K color temperature and can be switched to 5600K or 3200K by filters;
- ◆ 6V-17V wide voltage input, support D-tap power, standard DV battery power and special slim battery power;
- ◆ High intensity and toughness glass fiber housing, cool-touch, and both screw and cold shoe install.

## Product view

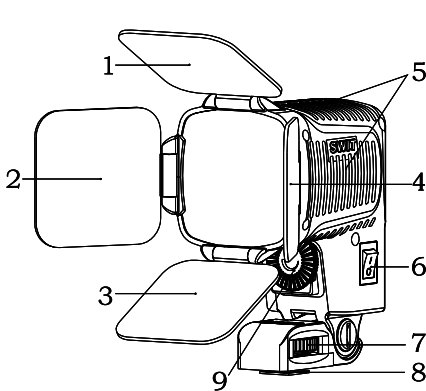


Fig 1

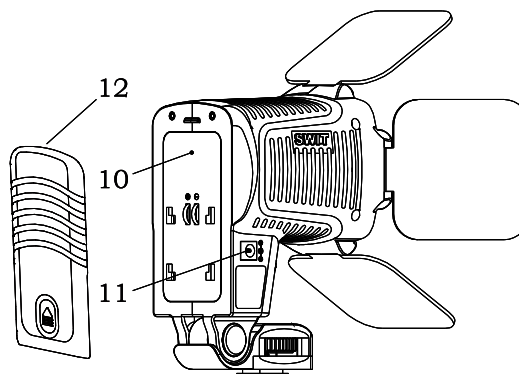


Fig 2

1. 5600K filter
2. Barn door
3. 3200K filter
4. Barn door
5. Cooling vent
6. Switch on/off
7. Knob
8. 1/4" screw bolt
9. Dimmer
10. DV plate slot
11. DC-IN socket
12. Protection cover

## Caution

1. Never attempt to open the device. Refer all servicing to qualified personnel.
2. Never insert anything into the cooling vent to avoid damage or short circuit.
3. Keep the light away from rain or moisture.
4. Please do not stare at the turned on LED light.
5. Keep the filters clean.
6. When powering through DC-IN socket by D-tap cable, please make sure the power supply's voltage and power meet the light input requirements.
7. Working temperature: -10°C~40°C
8. Keep the cooling vent clear to avoid damage.

## Clean

Use a soft, dry cloth to clean the LED light. If you clean the light with soft cloth slightly moistened with neutral detergent, please dry the surface of the light with a soft, dry cloth. Do not use a damp cloth or alcohol, gasoline and other solvents of any kind.

## Specifications

Model	S-2041
Input	DC 6V-17V
Power consumption	Approx. 23W
Beam angle	Approx. 60°
Illuminance	1200 lux @ 1 meter
Color temperature	5000K itself, with 5600K & 3200K filter
CRI	>85
Working temp.	-10°C~+40°C
Storage temp.	-20°C~+55°C
Dimension	103×157×84mm
Mass	Approx. 400g

## Packing List

	Packing details	Quantity
1	LED light	×1
2	Cold-shoe connector	×1
3	D-tap power cable (S-7104)	×1
4	User manual	×1
5	Warranty card	×1
6	Portable bag	×1

# Usage

## 1. Power the light

S-2041 is 6-17V voltage input and offers various power supply methods.

### • By special slim battery S-8040 (Optional purchase)

- ① Make sure there's no power lead connected into DC-IN socket and the light is switched off (turn the switch to "O").
- ② Press and slip off the protection cover. See Fig 3
- ③ Align a fully charged S-8040 battery to the DV mount slot to same side, and press tightly in. Slide the battery downward to snap together. See Fig 4

### • By various standard DV camera batteries

- ① Press and slip off the protection cover. See Fig 3
- ② Align the S-7004 series battery plate to the DV mount slot to same side, and press tightly in. Then slide the S-7004 downward to snap together. See Fig 5-①
- ③ Fix the DV mount with two screws.
- ④ Make sure the light is switched off (turn the switch to "O"). Mount a fully charged battery to the S-7004 mount. Fig 5-②

Remark: After use, please fix on the protection cover.

There're the following types of S-7004 for choice: (Optional Purchase)

Model	Compatible battery type	Recommended SWIT battery
S-7004F	SONY NP-F770/970	S-8972, S-8970, S-8770
S-7004D	Panasonic CGA-D54S/D28S	S-8D62, S-8D54, S-8D28
S-7004C	Canon BP-930/945	S-8945, S-8845
S-7004U	SONY BP-U60/30	S-8U62
S-7004E	Canon DSLR LP-E6	S-8PE6
S-7004B	Panasonic VW-VBG6	S-8BG6
S-7004V	JVC BN-VF823	S-8823
S-7004I	JVC SSL-JVC50	S-8I50

### • By DC input cable

- ① Make sure the light is switched off (turn the switch to "O"). Plug the pole end of S-7104 into the DC-IN socket.
- ② Plug the D-tap end of S-7104 to the camera auxiliary power tap or the battery's D-tap output socket. See Fig 6.
- ③ For third-party DC cables, please make sure the DC connector is 5.5/2.1mm pole and input voltage should be 6-17V; and inner: positive, Outer: negative.

## 2. Fix the LED light to the camera

### • By screw mount (Fig. 8)

The S-2041 can be directly installed on 1/4" thread handle.

### • By Cold shoe (Fig. 9-11)

- ① Unscrew the 4 screws and take down the 1/4" bolt base from the light.
- ② Install the supplied cold shoe base onto the light.
- ③ Anticlockwise revolve the fasten knob, and loose the cold shoe slice, then install onto the camera cold shoe slot, and fasten the knob to finish.

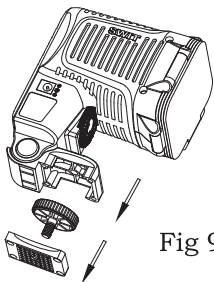


Fig 9

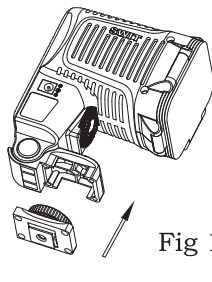


Fig 10

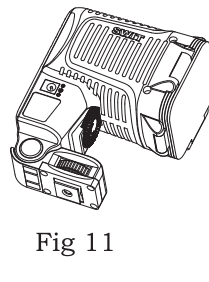


Fig 11

### 3. Adjust the angle of the light:

Hold the light, and adjust the light upward or downward. See Fig 12.

### 4. Open barn doors and filters:

Open the barn doors and filters to about 45°.

### 5. Switch on:

Turn the switch to "I".

### 6. Adjust the illuminance:

Adjust the illuminance from 10% to 100% by the dimmer.

### 7. Adjust color temperature:

Output 5600K light by using 5600K filter; Output 3200K light by using 3200K filter

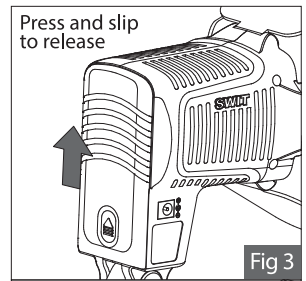


Fig 3

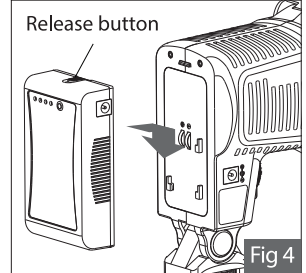


Fig 4

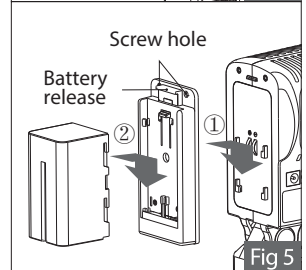


Fig 5

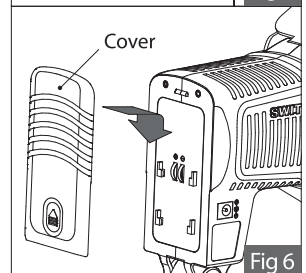


Fig 6

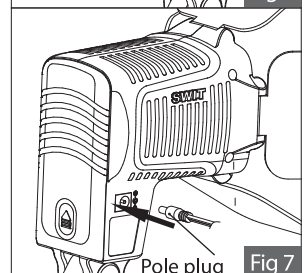


Fig 7

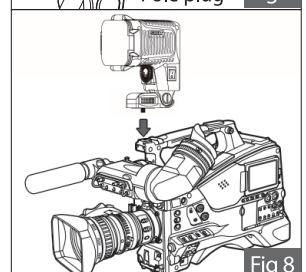


Fig 8

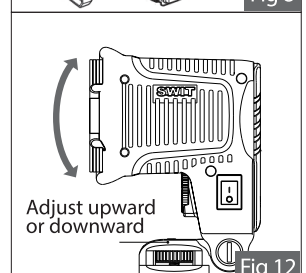


Fig 12