

# SWIT®

**S-2420C**  
**LED Panel Light**  
Ver: C

# USER MANUAL

SWIT Electronics Co.,LTD.

Tel:+86-25-85805753  
Fax:+86-25-85805296  
http://www.swit.cc  
E-mail: contact@swit.cc

Congratulations on your purchase of this product. Please read this user manual carefully.

## Feature

1. 160pcs of ultra bright LEDs, 50,000hrs long life time;
2. Delicate in appearance, small in size, light weight and portable;
3. Heat-free technology and constant current circuit design ensure consistent, stable, and accurate light output in various environments;
4. 10% to 100% PWM digital integrated dimming; the dimming process is smooth, stable and no flash;
5. LCD screen displays color temperature, brightness, and power info;
6. It adopts LED side-emitting technology; the output light is soft and no need to use diffuser;
7. 3200K-5600K continuously adjustable;
8. It can be used for indoor and outdoor video and photography; portrait photography; wedding photography; and especially suitable for children photography.

## Specifications

Model	S-2420C
LED	160PCS of LED
Luminance	623Lux@1m
Beam angle	75°
Color temperature	5600K±300K ~ 3200K±200K
CRI	96
Power	40W
Working voltage	DC12V — 17V
Dimension	365mm x 400mm x 50mm
Weight	2.08kg

## Caution

1. Under normal circumstances, there is no need to change the LED, pls do not disassemble the light randomly.
2. Never solder the LED bulbs by non-professionals
3. Pls remove the battery if long time no use.
4. Only use the provided adapter to avoid damage.
5. Never expose to rain or moisture.
6. Pls keep the front panel clean.
7. Only use the light in the temperature range of -10°C~40°C.

## Clean

1. Please clean the front LED panel with soft dry cloth. If using soft cloth with slight clean neutral detergent solution, please wipe again with a soft dry cloth.
2. Do not use wet cloth, anhydrous alcohol, gasoline, or a mixture of anhydrous alcohol and ether etc. to wipe the front LED panel, otherwise it may cause damage to the front LED panel.

## Appearance

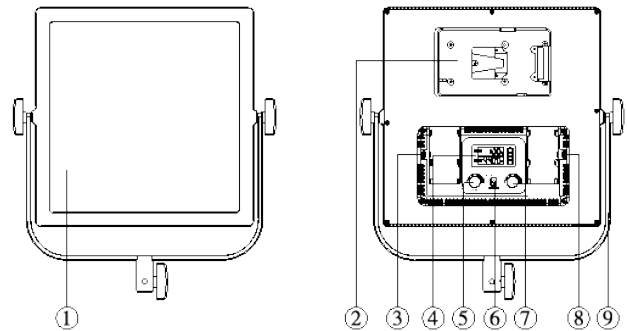



Fig 1

Fig 2

- ① Front Panel
- ② V-mount battery plate
- ③, ⑧ Battery release button
- ④ LCD screen
- ⑤ CT dimming knob
- ⑥ DC in: 5.5x2.1mm, Polarity: 
- ⑦ Brightness dimming knob
- ⑨ Handle

## Usage

1. Install the light on the tripod or bracket, and tighten the retaining bolt. Loose the rotary knob on both sides of the handle; adjust the lighting angle and fasten to fix.
2. Install one V-mount battery or two Sony F-mount DV batteries or plug in the provided power adaptor to DC input socket, then press the power button to work.  
(Note: The above mentioned three kinds of power-supply modes are in parallel connection, please avoid using both or all of them at the same time to avoid malfunction like battery protection.)
3. Adjust the brightness from 10% to 100% and the color temperature from 3200K to 5600K according to actual requirements
4. The LCD screen displays the battery remaining capacity on the right side, details are as below:

Four LEDs	75%-100%
Three LEDs	50%-75%
Two LEDs	25%-50%
One LED	10%-25%
No display	< 10%
Outline Border flicker	Lack of power

## Packing List

	Packing details	Quantity
1	S-2420C	x1
2	Power Adaptor	x1
3	Power cable	x1
4	Carrying case	x1
5	Warranty card	x1
6	User manual	x1